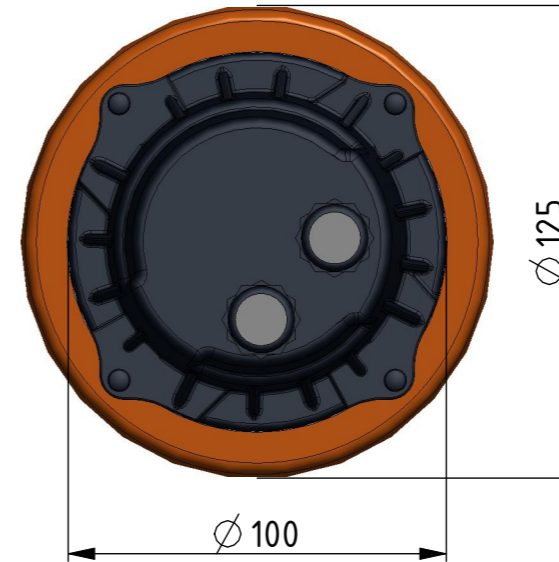
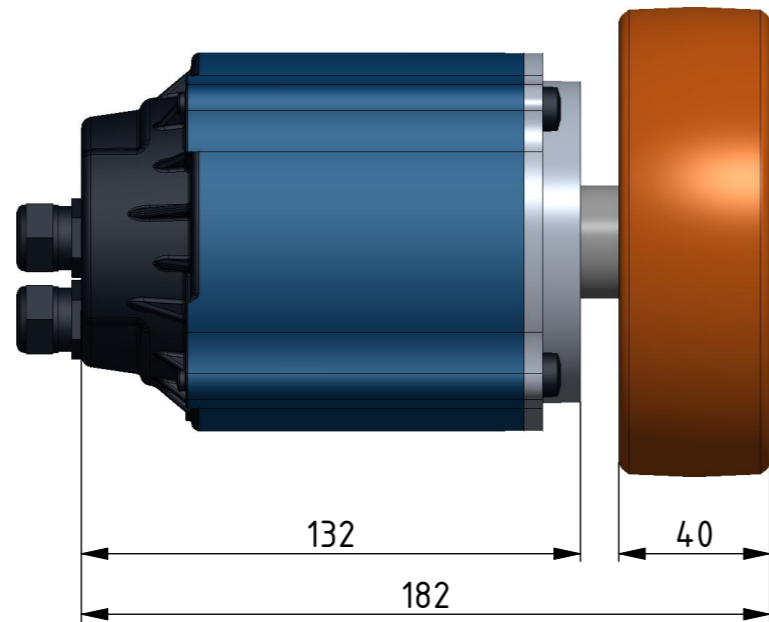
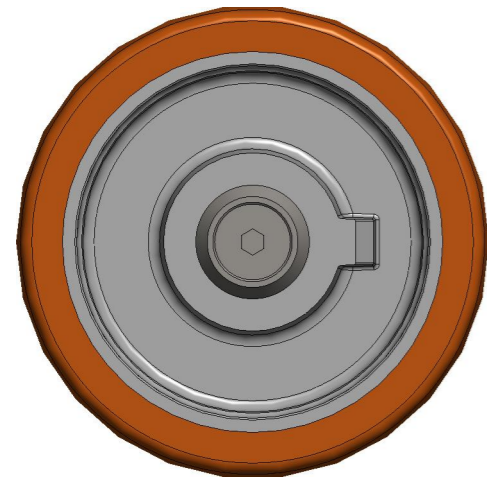
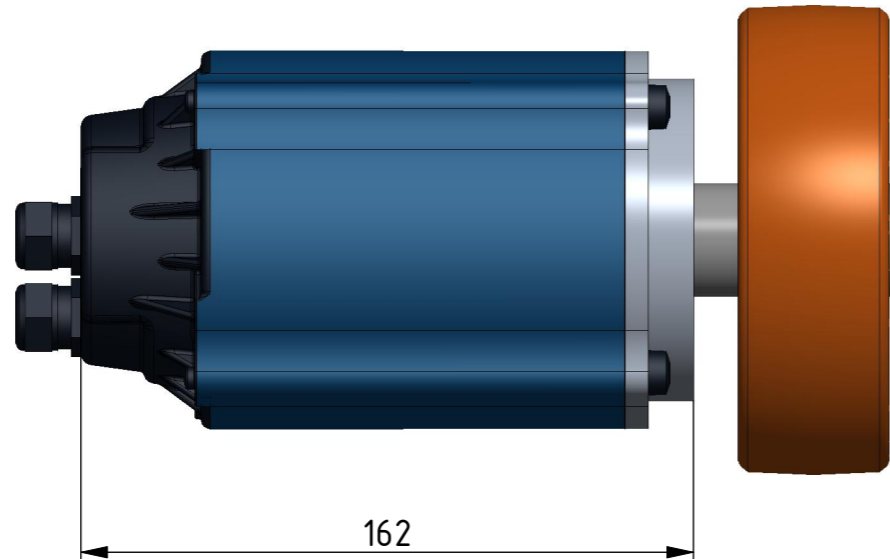


© KOLEKTOR HOLDING d.d. in njene povezane družbe. Vse pravice pridržane. Brez dovoljenja je prepovedano kakršnokoli reproduciranje, distribucija, predelava ali druga uporaba.
 © KOLEKTOR HOLDING d.d. and its affiliated companies. All rights reserved. Any reproduction, distribution, processing or other use is prohibited without permission.



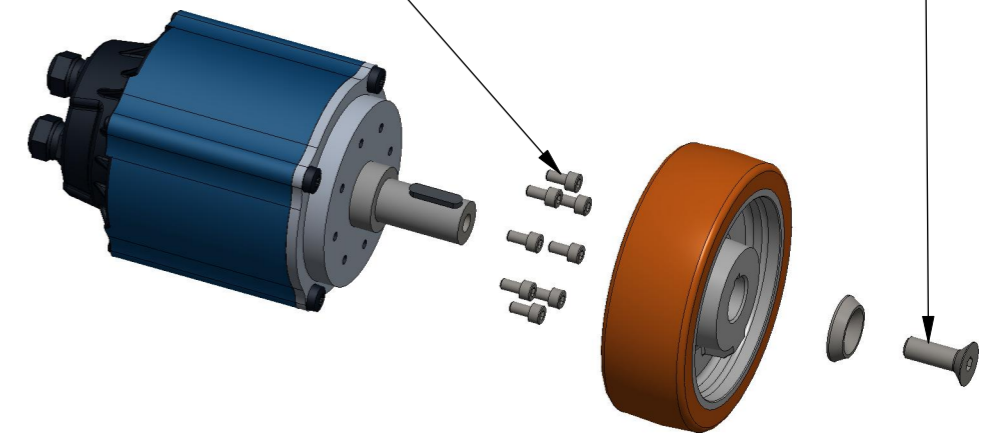
BLI90/30
500W, L=132

BLI90/60
1.000W, L=162



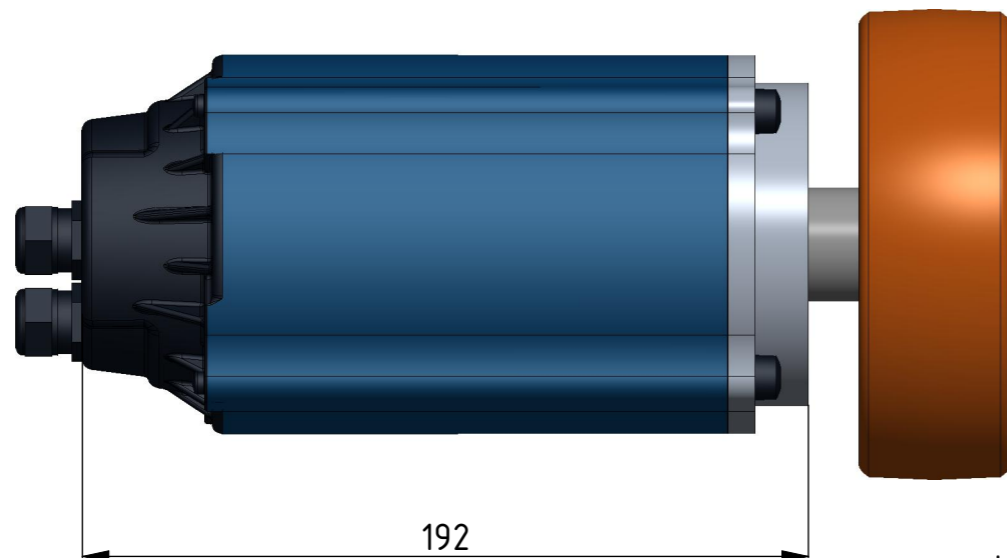
Chassis installation:
M5x10(8pcs)

Wheel installation:
Countersunk screw M10x30 Inbus



3:10

BLI90/90
1.500W, L=192



Rev	Status	Format	Merilo Scale	SAP ID	Koda/Code	Masa/Mass[kg]
A	In Work	A3	1:2			2;3;4
ECN			1:1	Naziv/Title		
Datum Date	06.01.2021	List Sheet		BLI90 FAMILY DIMENSIONAL DRAWINGS		
Izdelal Created	Idrium					
KOLEKTOR				2D	BLI90_30_3VELIKOSTI/A.1	
				3D	0003398435/A.1	