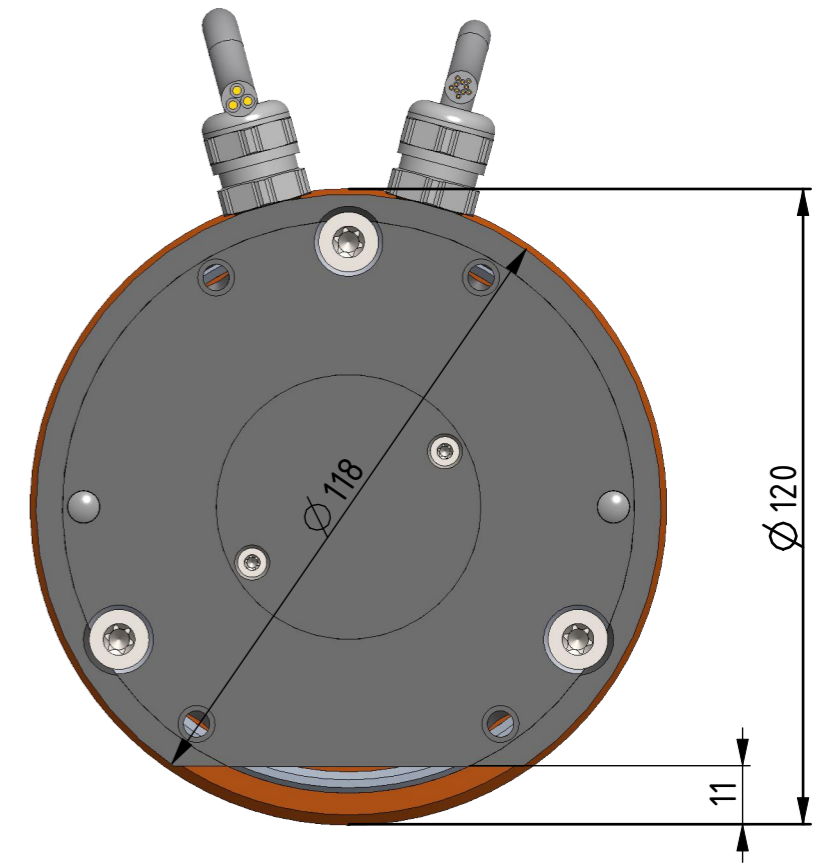
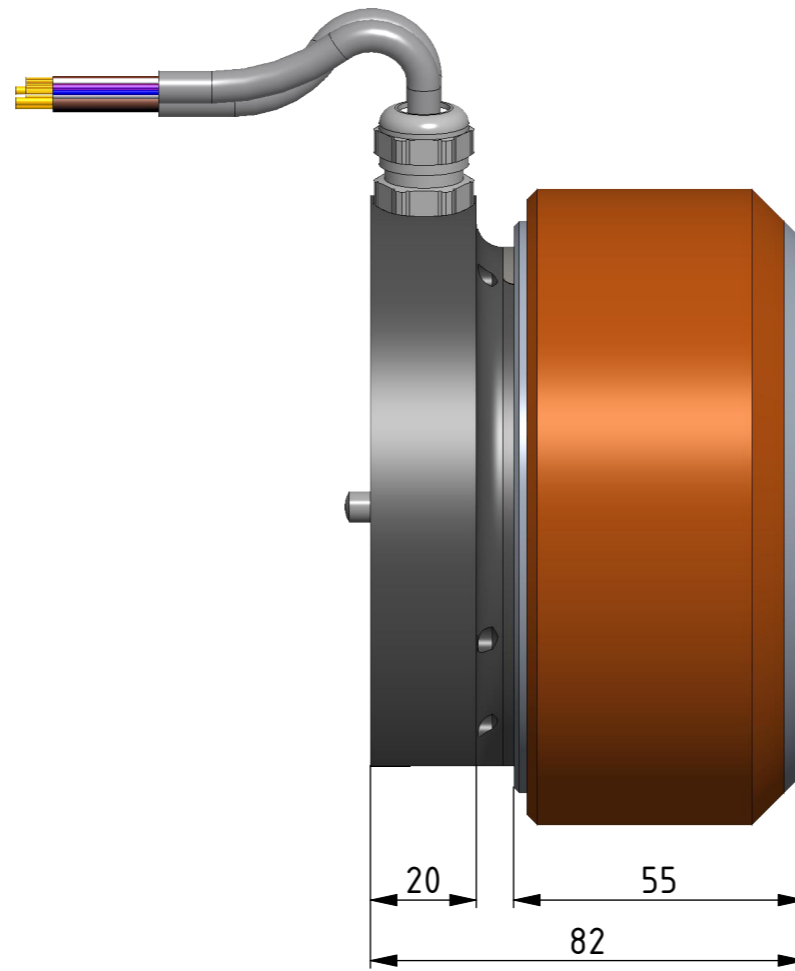
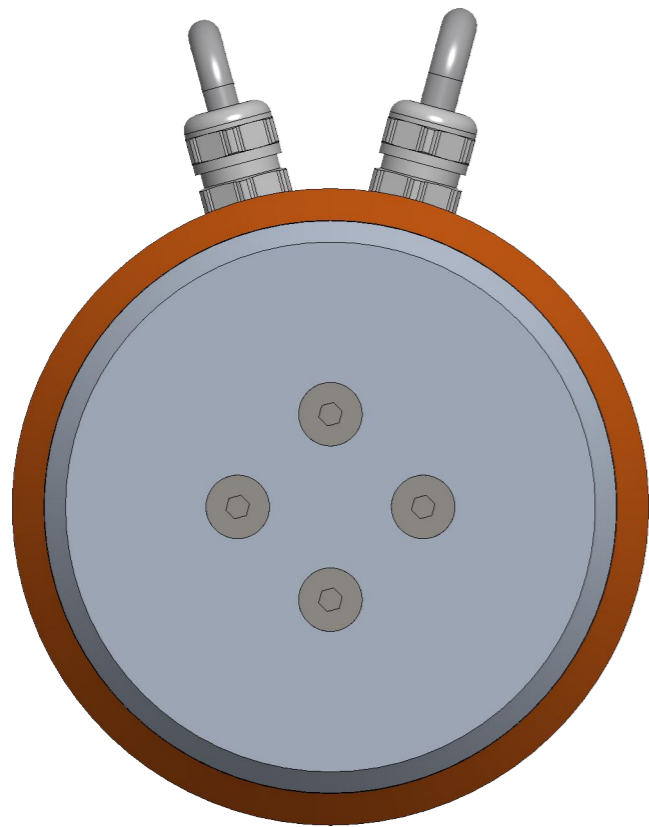
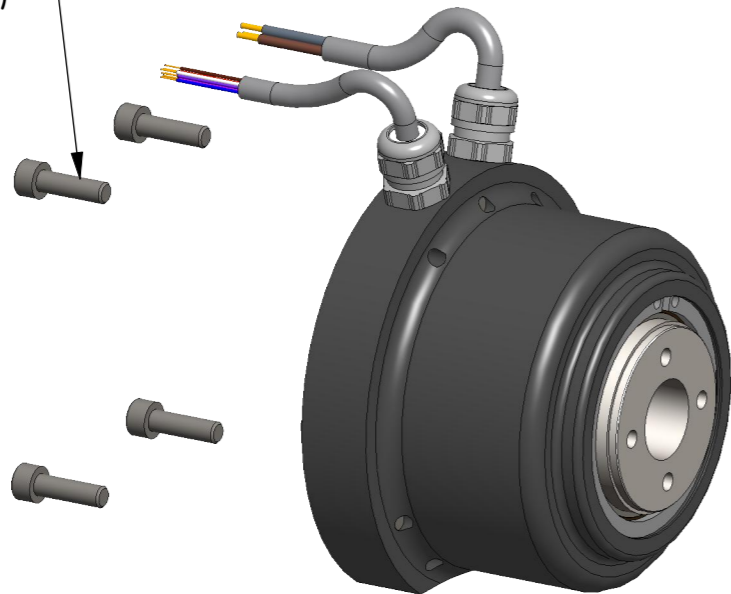


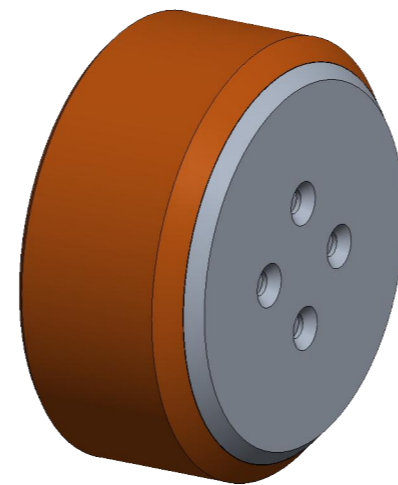
© KOLEKTOR HOLDING d.d. in njene povezane družbe. Vse pravice pridržane. Brez dovoljenja je prepovedano kakršnokoli reproduciranje, distribucija, predelava ali druga uporaba.
 © KOLEKTOR HOLDING d.d. and its affiliated companies. All rights reserved. Any reproduction, distribution, processing or other use is prohibited without permission.



Chassis installation:
M6x20 Torx (4pcs)



Wheel installation:
Countersunk screw M6x20 Torx (4pcs)



1:2

Rev	Status	Format		SAP ID	Koda/Code	Masa/Mass[kg]
		A3		810127	13-1721-01	2,3
ECN	&ECN	Merilo Scale	7:10	Naziv/Title		
Datum Date	28.12.2020	List Sheet	1/1	BLEn 90/30 Shuttle HUB DIMENSIONAL DRAWINGS		
Izdelal Created	iDrium					
KOLEKTOR				2D	BL_90_30_SHUTTLE_HUB_MARKETING/0	
				3D	020_6503_BLEN9030SM/C.2	